
DISTRICT WASTE RECEPTACLE SERIES



PORTABLE & SURFACE MOUNT WASTE RECEPTACLES AND ASH URN

MAINTENANCE

Regular inspection and maintenance of all parts and fasteners is necessary. Tighten all bolts and nuts. Inspect tops, seats, legs, braces, and fasteners periodically for wear or vandalism. Replace broken or worn parts immediately or take equipment out of service until repairs are made. Use genuine Tropitone® replacement parts.

ASSEMBLY PROCEDURES

To ensure proper assembly, it is suggested that you take adequate time to locate and identify each part. To prevent scratching of the finished pieces, we recommend this unit to be assembled on a clean, flat, surface with a drop cloth, allowing plenty of working room. **Also please read the instructions and study the sketches very carefully.** A little extra time spent before assembly will be well worth it in performing a complete, proper assembly. Please note that all parts have been pre-cut and pre-drilled.

During the assembly process leave all bolts and nuts “finger tight,” until the entire unit is completely assembled. This allows room for movement to level or adjust all seats, tops, benches, framework, and braces if necessary. **After final adjustment and leveling, permanently tighten all nuts, bolts, and fasteners.**

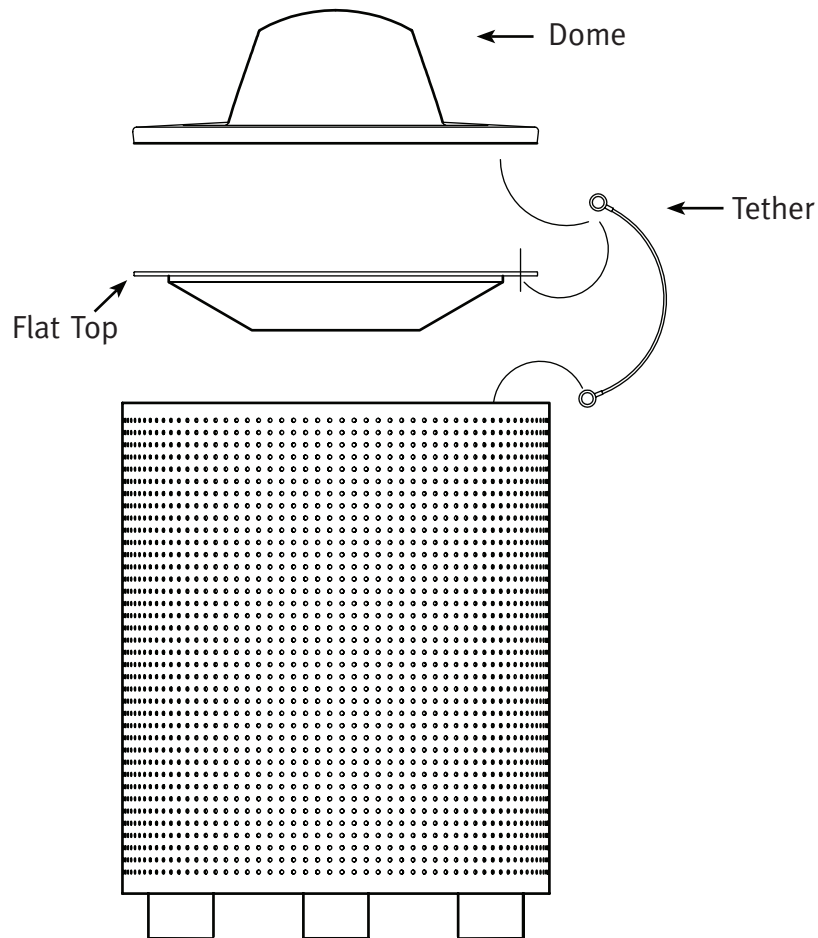
WARNING: The proper installation for Tropitone® products may depend upon many factors unique to the site, location, or use of a particular product. Consult with your contractor or other professional to determine your specific installation requirements.
Hardware for surface mount not included.

IMPORTANT: Assemblers should be reasonably skilled in the assembly of commercial grade/heavy duty fabricated aluminum and steel equipment.

MODEL NO. 4A1699C31, 4A1699D31, 4A1699F31

FLAT TOP INSTALLATION: Attach tether to flat top and receptacle. For each end of tether, use one 1/4" x 1" hex head screw, two 1/4" flat washers, and one 1/4" hex nut.

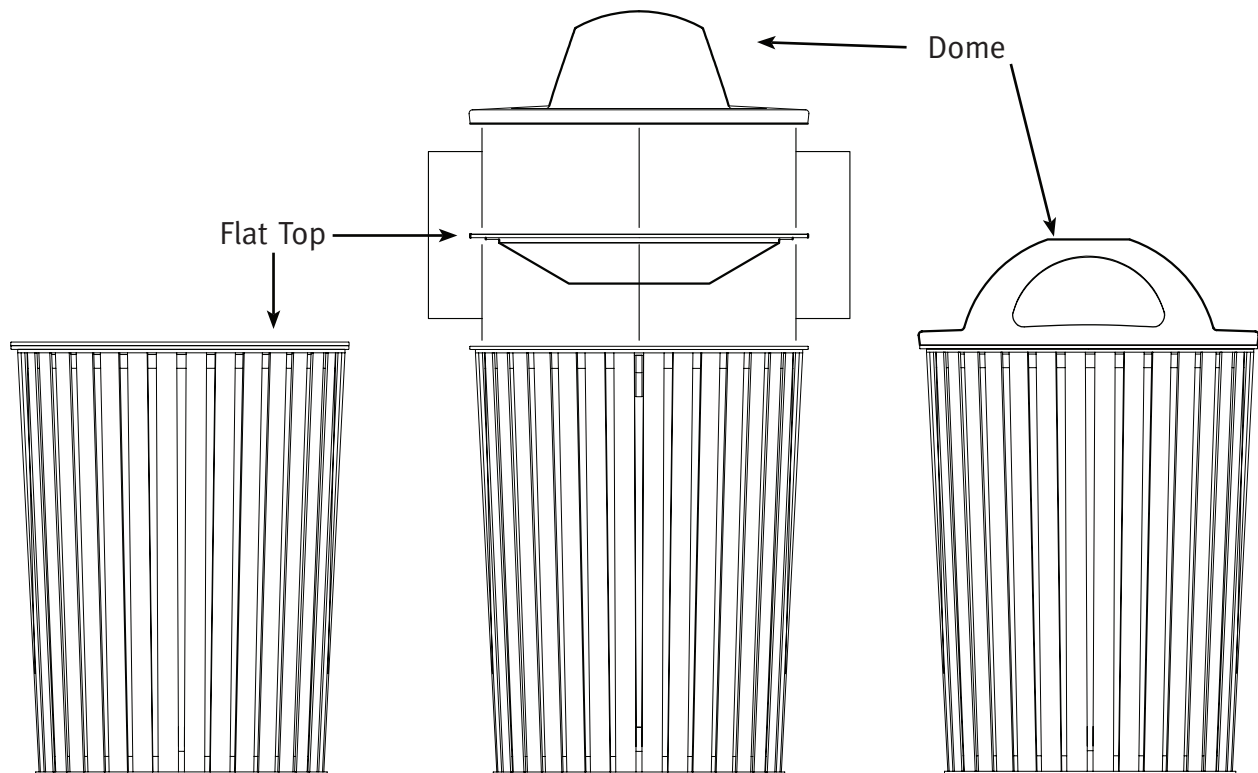
DOME TOP INSTALLATION: Attach tether to dome top and receptacle. For each end of tether, use one 1/4" x 1" hex head screw, two 1/4" flat washers and one 1/4" hex nut.



MODEL NO. 4A1699C32, 4A1699D32, 4A1699F32, 44A1699C33, 4A1699D33, 4A1699F33

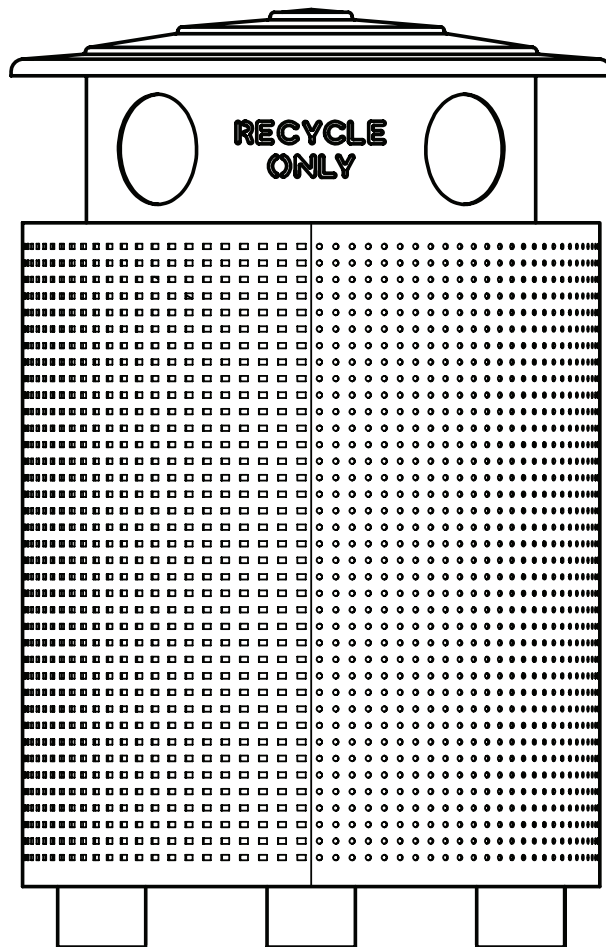
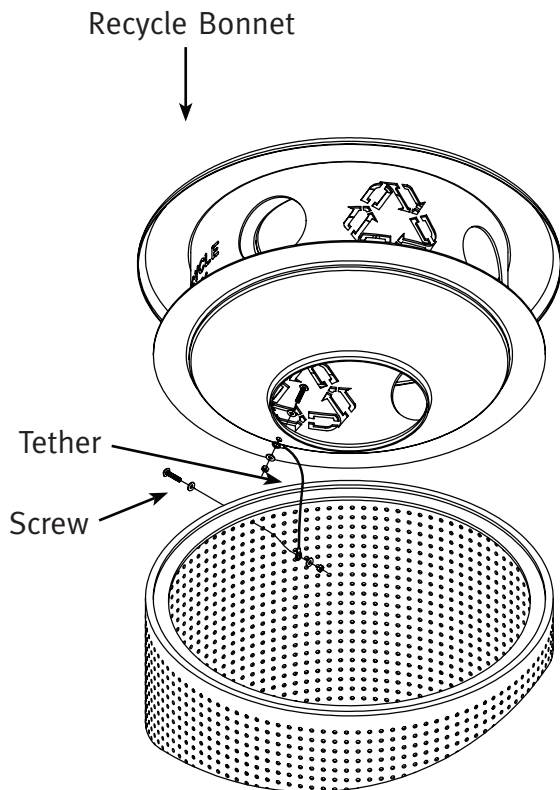
FLAT TOP INSTALLATION: Attach flat top to receptacle using one 1/4" X 1" hex head screw, two 1/4" flat washers, and one 1/4" hex nut per each bolt hole.

DOME HOOD INSTALLATION: Attach dome to receptacle using one 1/4" X 1" hex head screw, one 1/4" flat washer per each bolt hole.



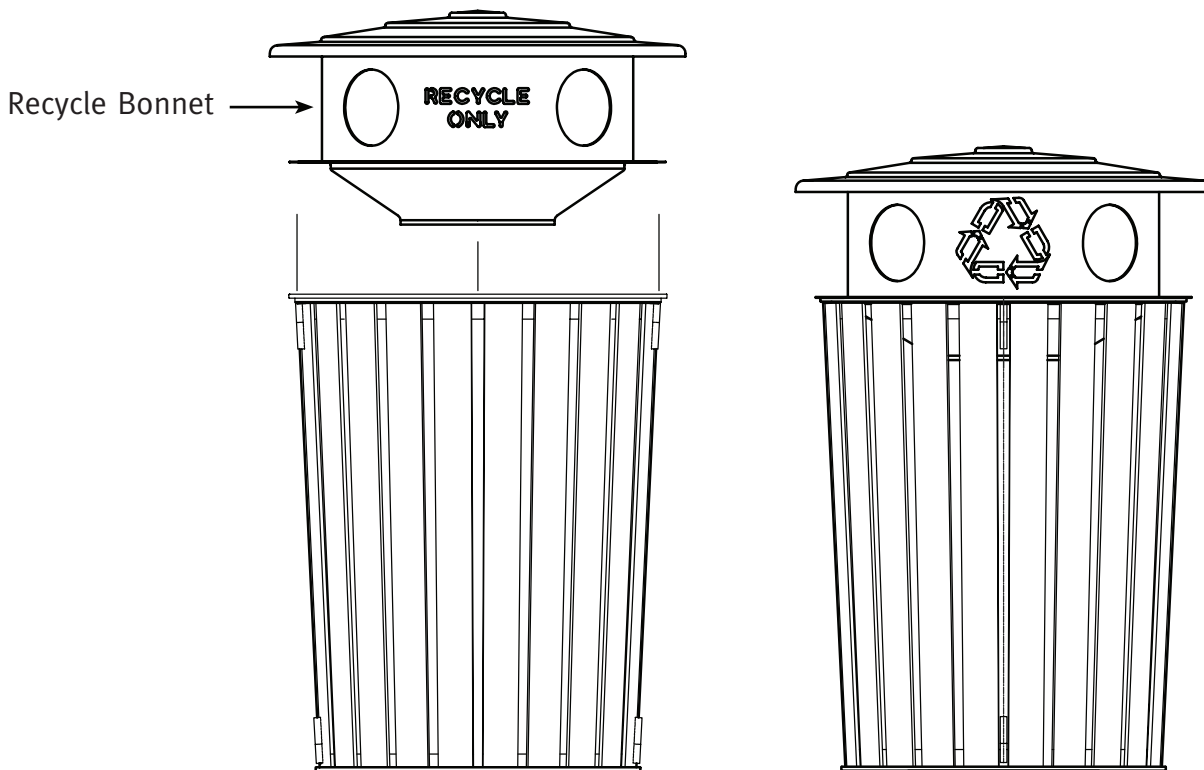
MODEL NO. 4A1699S31

RECYCLE BONNET INSTALLATION: Attach tether to recycle bonnet and to receptacle. For each end of tether, use one 1/4" X 1 1/4" one way machine screw, two 1/4" flat washers, and one 1/4" nyloc hex nut.



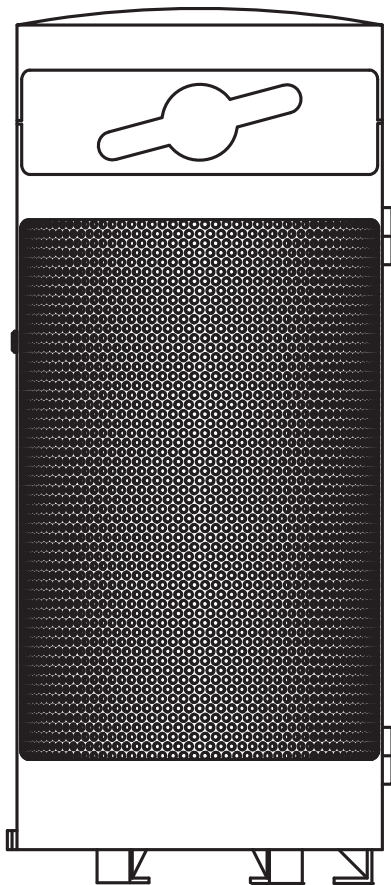
MODEL NO. 4A1699S32, 4A1699S33

RECYCLE BONNET INSTALLATION: Attach recycle bonnet to receptacle using one 1/4" X 1" hex head screw, two 1/4" flat washers, one 1/4" hex nut, and one 1/4" lock washer per each bolt hole.

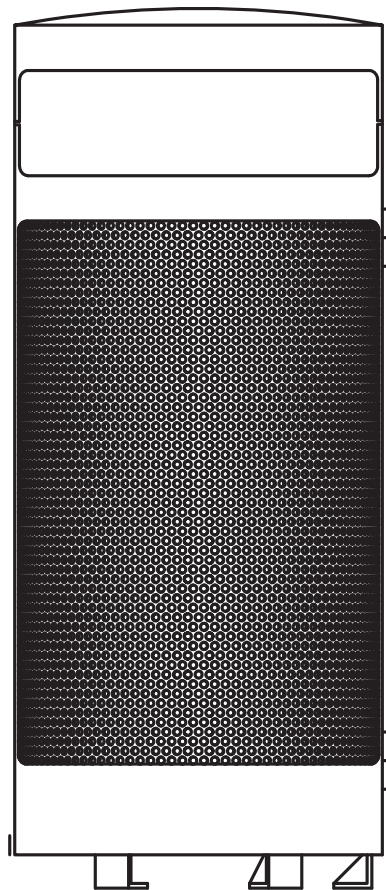


MODEL NO. 4A1699B41, 4A1699S46

STEP 1 (OPTIONAL): Prepare and place the foundations securement hardware in its new location. When the foundation securement hardware has been installed, place the unit in its chosen location and secure to the foundation. Tighten all fasteners with proper tools.



4A1699S46

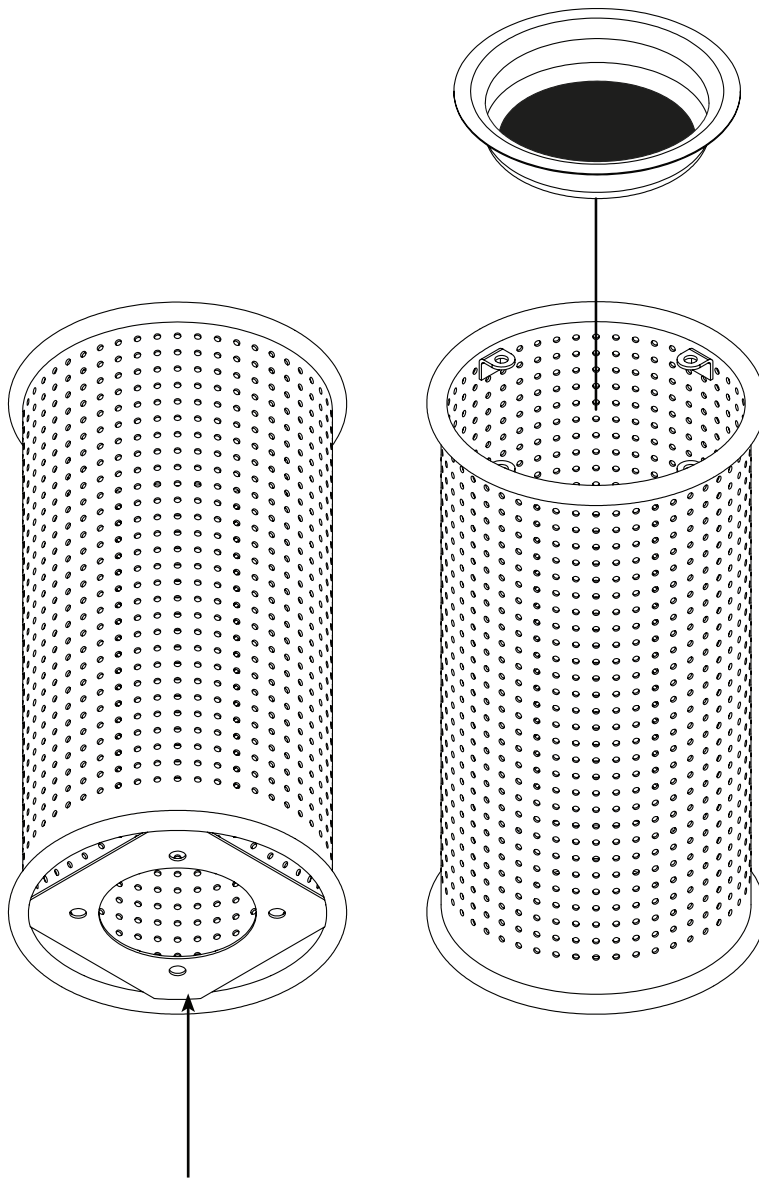


4A1699B41

MODEL NO. 4A1699ASH

STEP 1 (OPTIONAL): Prepare and place the foundations securement hardware in its new location. When the foundation securement hardware has been installed, place the unit in its chosen location and secure to the foundation. Tighten all fasteners with proper tools.

STEP 2: Once secured, place Ash Tray into top hole of ash urn.



Surface Mount holes located
on bottom plate of ash urn

MORE INFORMATION

For care and cleaning instructions refer to the Tropitone® Care, Maintenance, Safety, & Warranty Information guide included with your furniture and available at www.tropitone.com - click on Product Care.

If you have difficulty understanding any of the instructions and need assistance, please call Tropitone's Customer Service Center at 949-951-2010.

Tropitone Furniture Co, Inc.
5 Marconi, Irvine, CA 92618

949 951 2010 phone
www.tropitone.com



Part R9T00028
Rev 4/16
© 2016 Tropitone Furniture Co., Inc.